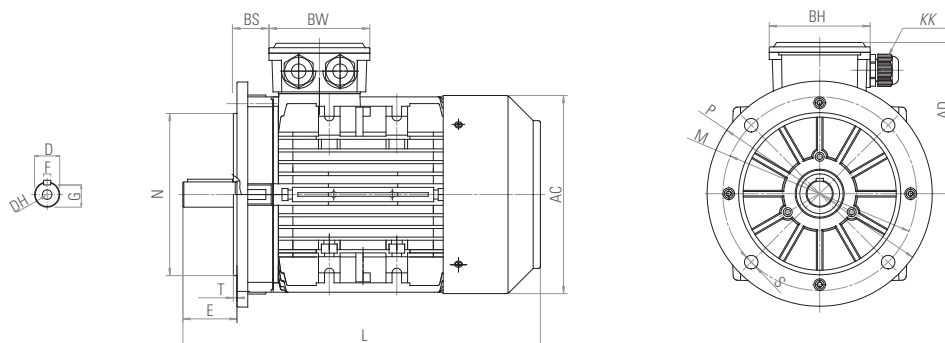
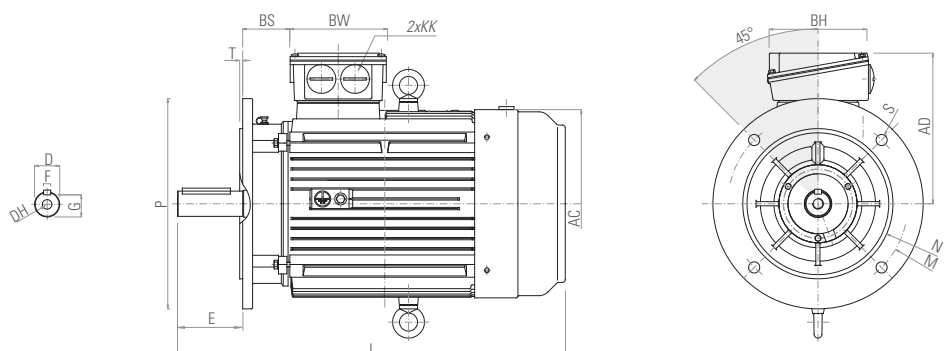


6T1 7T1 IE1 Trifaziai elektros varikliai / *three-phase motor*

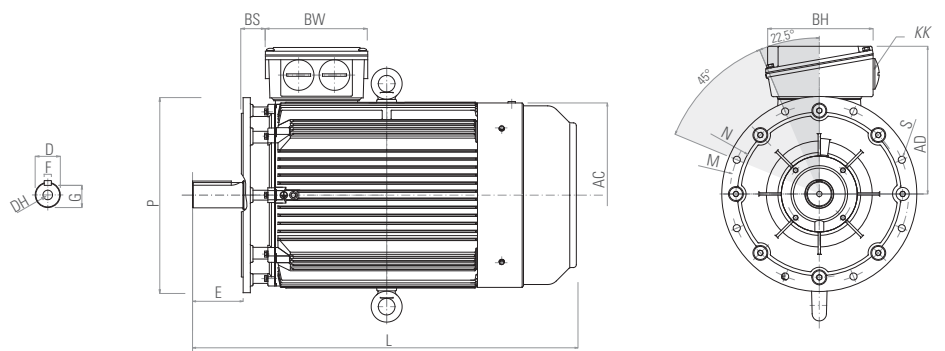
56-132 B5



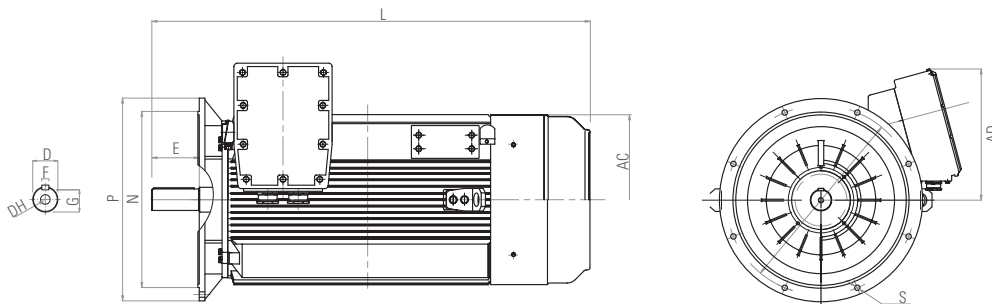
160-280 B5



315-355 B5



355LX-450 B5



56÷450

B5	P	M	N	S	T	AC	AD	D	DH	E	F	G	H	KK	L	BS	BW	BH
56-132 B5																		
56	120	100	80	7	3	115	97	9	M3X8	20	3	7.2	56	M16X1.5	195	14	88	88
63	140	115	95	10	3	130	105	11	M4X10	23	4	8.5	63	M16X1.5	215	14	94	94
71	160	130	110	10	3.5	145	112	14	M5X12	30	5	11	71	M20X1.5	255	20	94	94
80	200	165	130	12	3.5	165	130	19	M6X16	40	6	15.5	80	M20X1.5	277	27	105	105
90S	200	165	130	12	3.5	185	140	24	M8X20	50	8	20	90	M20X1.5	312	26	105	105
90L	200	165	130	12	3.5	185	140	24	M8X20	50	8	20	90	M20X1.5	337	26	105	105
100L	250	215	180	15	4	205	155	28	M10X22	60	8	24	100	M20X1.5	375	26	105	105
112	250	215	180	15	4	230	166	28	M10X22	60	8	24	112	M25X1.5	400	34	112	112
132S	300	265	230	15	4	270	188	38	M12X28	80	10	33	132	M25X1.5	460	40	112	112
132M	300	265	230	15	4	270	188	38	M12X28	80	10	33	132	M25X1.5	500	40	112	112
160-280 B5																		
160M	350	300	250	18.5	5	330	265	42	M16X36	110	12	37	160	M32X1.5	605	92	150	180
160L	350	300	250	18.5	5	330	265	42	M16X36	110	12	37	160	M32X1.5	650	92	150	180
180M	350	300	250	18.5	5	380	280	48	M16X36	110	14	42.5	180	M32X1.5	675	92	150	180
180L	350	300	250	18.5	5	380	280	48	M16X36	110	14	42.5	180	M32X1.5	715	92	150	180
200L	400	350	300	18.5	5	420	315	55	M20X42	110	16	49	200	M40X1.5	765	100	180	215
225S4	450	400	350	18.5	5	465	335	60	M20X42	140	18	53	225	M40X1.5	820	100	180	215
225M2	450	400	350	18.5	5	465	335	55	M20X42	110	16	49	225	M40X1.5	815	100	180	215
225M4-8	450	400	350	18.5	5	465	335	60	M20X42	140	18	53	225	M40X1.5	845	100	180	215
250M2	550	500	450	18.5	5	520	375	60	M20X42	140	18	53	250	M50X1.5	930	105	215	260
250M4-8	550	500	450	18.5	5	520	375	65	M20X42	140	18	58	250	M50X1.5	930	105	215	260
280S2	550	500	450	18.5	5	570	405	65	M20X42	140	18	58	280	M50X1.5	960	105	215	260
280S4-8	550	500	450	18.5	5	570	405	75	M20X42	140	20	67.5	280	M50X1.5	975	105	215	260
280M2	550	500	450	18.5	5	570	405	65	M20X42	140	18	58	280	M50X1.5	1000	105	215	260
280M4-8	550	500	450	18.5	5	570	405	75	M20X42	140	20	67.5	280	M50X1.5	1015	105	215	260
315-355 B5																		
315S2	660	600	550	24	6	620	500	65	M20X42	140	18	58	315	M63X1.5	1150	105	285	330
315S4-8	660	600	550	24	6	620	500	80	M20X42	170	22	71	315	M63X1.5	1185	105	285	330
315M2	660	600	550	24	6	620	500	65	M20X42	140	18	58	315	M63X1.5	1260	105	285	330
315M4-8	660	600	550	24	6	620	500	80	M20X42	170	22	71	315	M63X1.5	1295	105	285	330
315L2	660	600	550	24	6	620	500	65	M20X42	140	18	58	315	M63X1.5	1265	105	285	330
315L4-8	660	600	550	24	6	620	500	80	M20X42	170	22	71	315	M63X1.5	1305	105	285	330
355M2	800	740	680	24	6	700	645	75	M24X50	140	20	67.5	355	M63X1.5	1510	100	360	410
355M4-8	800	740	680	24	6	700	645	100	M24X50	210	28	86	355	M63X1.5	1640	100	360	410
355L2	800	740	680	24	6	700	645	75	M24X50	140	20	67.5	355	M63X1.5	1610	100	360	410
355L4-8	800	740	680	24	6	700	645	100	M24X50	210	28	86	355	M63X1.5	1640	100	360	410
355LX-450 B5																		
355LX2	900	840	780	24	6	760	625	75	M20X42	140	20	67.5	355	-/-	1855	105	430	485
355LX4-8	900	840	780	24	6	760	625	100	M20X42	210	28	86	355	-/-	1950	105	430	485
400 2	1000	940	880	28	6	840	660	85	M24X50	170	22	76	400	-/-	1910	147	430	485
400 4-8	1000	940	880	28	6	840	660	120	M24X50	210	32	109	400	-/-	1990	147	430	485
450 2	1150	1080	1000	28	6	1000	940	95	M24X50	170	25	86	450	-/-	2120	190	460	530
450 4-8	1150	1080	1000	28	6	1000	940	130	M24X50	210	32	119	450	-/-	2160	190	460	530

Nota: dal MEC225 incluso in su, la flangia B5 ha 8 fori di fissaggio. Dati tecnici e caratteristiche possono subire variazioni
 Note: from MEC225 included onwards, the B5 flange has 8 mounting holes. Technical data and performances may change